

Genie Z-62/40 21M Articulated Boom Lift Diesel

Performance

Measurements

| | US | Metric |
|--|-------------|-------------|
| Working height max. | 67ft 11in | 20.87m |
| Platform height max. | 61ft 11in | 18.87m |
| Horizontal reach max. | 40ft 9in | 12.42m |
| Up and over clearance max. | 25ft 7in | 7.8m |
| A Platform length | 3ft/2ft 6in | 0.91m/0.76m |
| B Platform width | 8ft/6ft | 2.44m/1.83m |
| C Height - stowed (tires) | 8ft 4in | 2.54m |
| C Height - stowed (TraX) | 8ft 6in | 2.59m |
| C Height - storage/transport (jib tucked under) (tires) | 9ft 6in | 2.90m |
| C Height storage/transport height (jib tucked under) (TraX) | 9ft 8in | 2.95m |
| D Length - stowed (tires) | 30ft 3in | 9.25m |
| E Width | 8ft 2in | 2.49m |
| F Wheelbase | 8ft 2in | 2.49m |
| G Ground clearance - center (tires) | 1ft 3in | 0.41m |
| G Ground clearance - center (TraX) | 1ft 5in | 0.43m |

Productivity

| | | | |
|---|------------------|-------------|-------------------------|
| Lift capacity max. - unrestricted | 500lb | | 227kg |
| Platform rotation | | 180° | |
| Jib length | 5ft | | 1.52m |
| Vertical jib rotation | | 135° | |
| Turntable rotation | | 360° | |
| Turntable tailswing | | zero | |
| Drive speed - stowed (tires) | 3.0mph | | 4.8km/h |
| Drive speed - raised (tires) | 0.68mph | | 1.1km/h |
| Gradeability - stow@d | | 30% | |
| Tilt sensor activation (front to back/side to side) | | 4.5°/4.5° | |
| Turning radius - inside/outside (tires, 4WD) | 9ft 2in/18ft 9in | | 2.80m/5.71 ^m |
| Tires (solid, non-marking) | | 355/55 D625 | |

Power

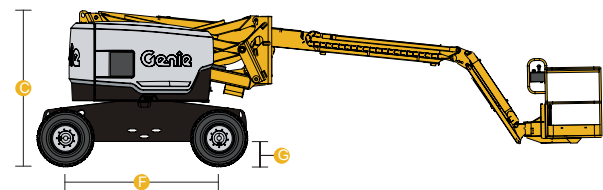
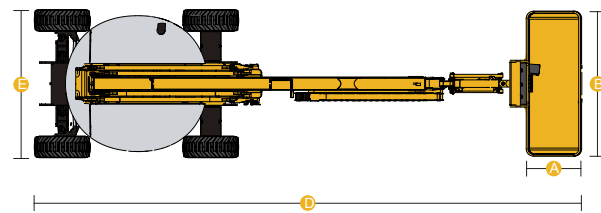
| | | | |
|-------------------------|-------|--------|------|
| Power | | Diesel | |
| Auxiliary power unit | | 12V DC | |
| Hydraulic tank capacity | 35gal | | 132L |
| Fuel tank capacity | 35gal | | 132L |

Weight and Floor Loading

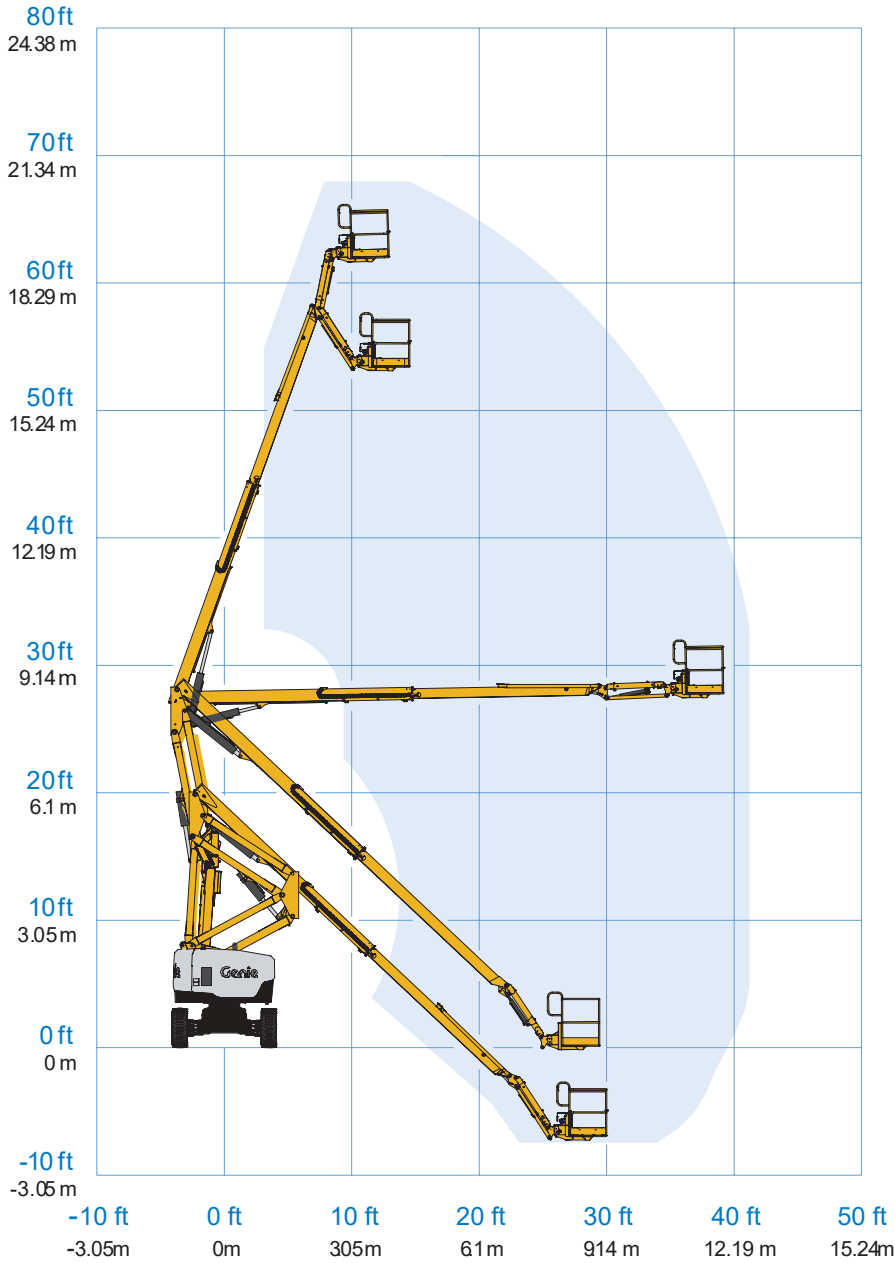
| | | | |
|---------------------------------|----------|--|-----------|
| Weight, 2 WS | 22,185lb | | 10,063 kg |
| Weight, 4 WS | 22,690lb | | 10,292 kg |
| Tire contact pressure | 11psi | | 75.8 kPa |
| Occupied floor pressure (tires) | 247psf | | 11.83 kPa |

Sound and Vibration Levels

| | | | |
|---|------------------------|-------|---------------------|
| Sound Pressure level (ground workstation) | | 84dBA | |
| Sound Pressure level (platform workstation) | | 75dBA | |
| Vibrations | 8ft 2in/s ² | | 2.5m/s ² |



Reach Diagrams



BVM Transport LLC.
 Plot No. 5330288, Near Roundabout
 No. 7, Dubai Industrial City (DIC),
 PO Box 18377, Dubai, UAE.

info@bvmtransport.com
 +971 4 874 7999
 +971 54 581 4833

